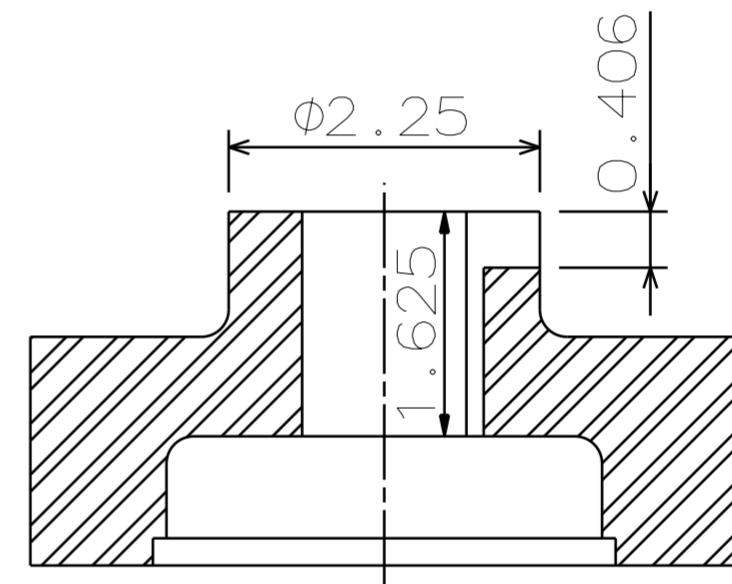
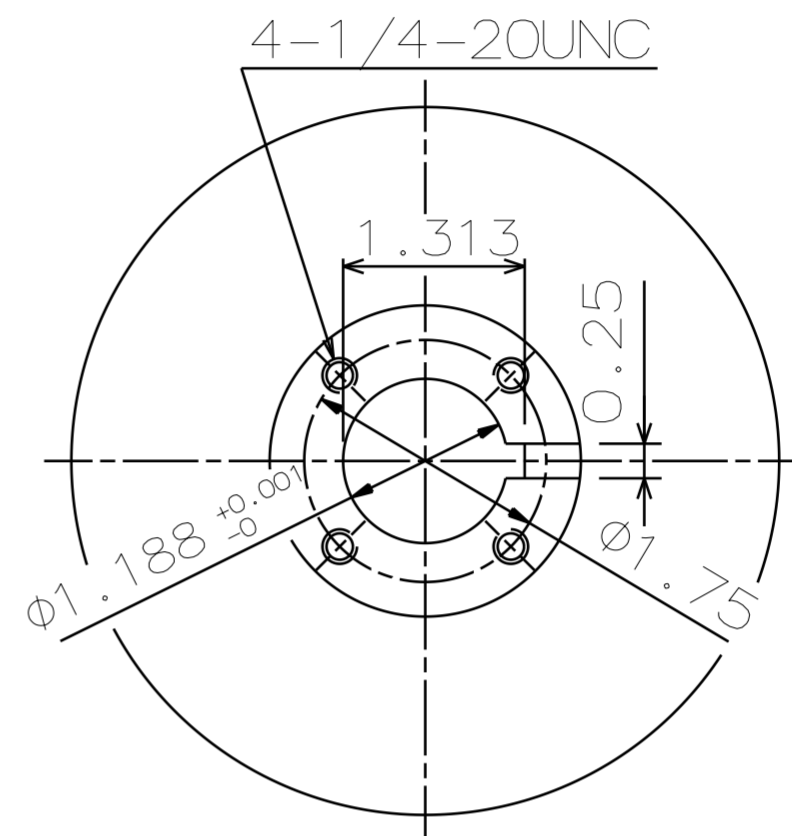
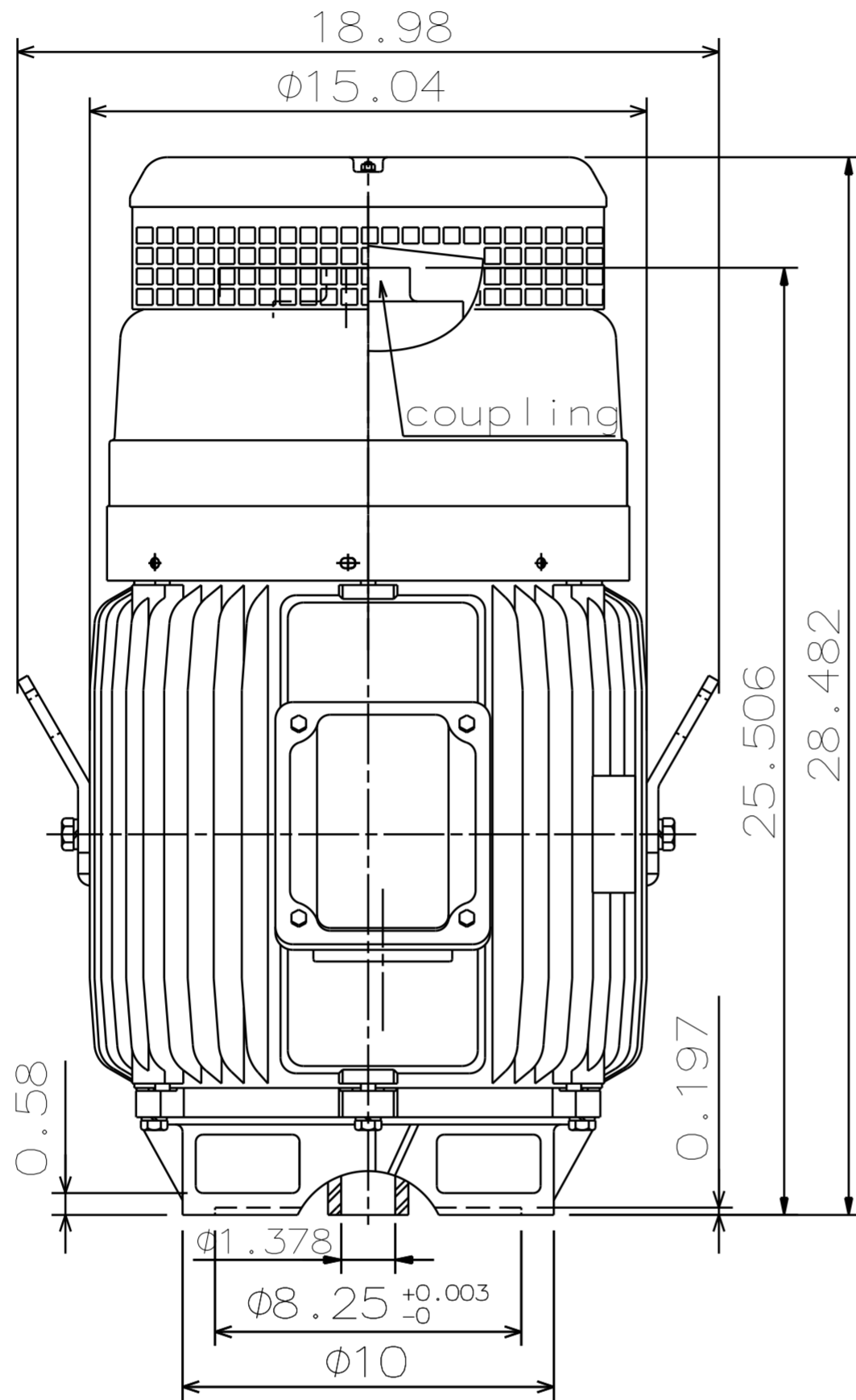


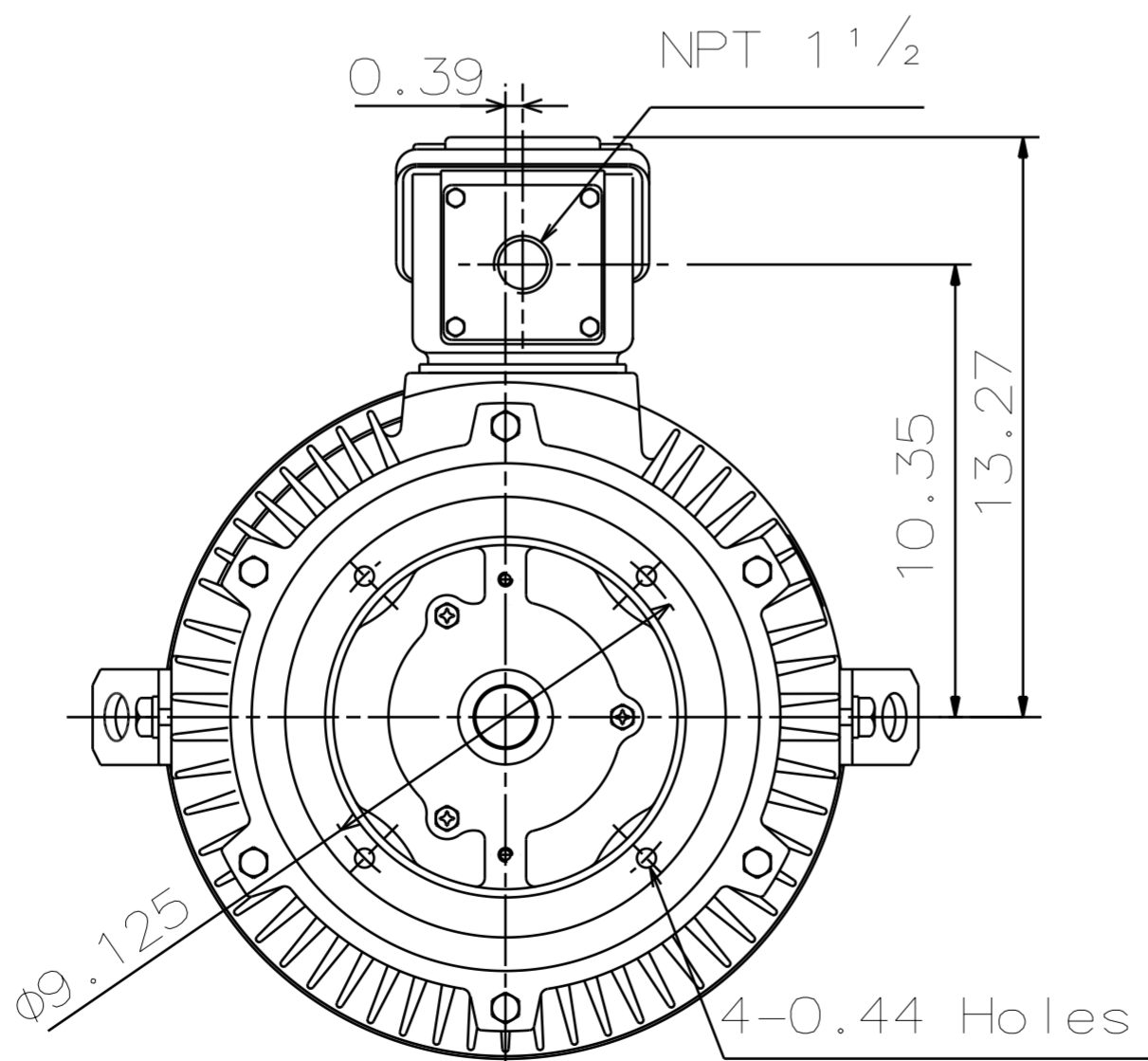
CATALOG NUMBER: VHTP0206		OUTLINE DIMENSIONS 3-PHASE INDUCTION MOTOR		MOTOR TYPE: AEEHNH	
DATE OCT-03-2017				FRAME NO. 286TP	

Pole	HP	kW	Hz	VOLT	r/min (rpm)
6	20	14.9	60	230/460	1200
Ins	Rating	Dimension in	Approx Weight	Bearings	
F	CONT.	inches	550 LBS	DE: 6311ZZC3 NDE: 7312BE	

Totally Enclosed Fan-Cooled Vertical Type. Squirrel-cage Rotor.



Coupling Dimension



Note:

1. IP44 Protection.
2. Rotation: C.C.W. (View from Top)
3. With Ball Type N.R.R.
4. Down Thrust: 3850 lbs. (L10: 8800 hours)
5. Space Heater Rated At 120 volts. Leads Terminate In The Main Lead Box.

TA17129-00-00

--	--	--

DWG.		04.20.17
CHKD.		04.28.17
APPD.		04.28.17

TEC **Westinghouse**

DWG NO.
31057A478300